

| | | | | | | |
|---------|------------|-------|------|------|------|----------|
| 17A | ECO | BAM | SH | BAM | SH | 03/02/04 |
| 15A | ECO | BAM | SH | BAM | SH | 23/12/03 |
| REV/ISS | AMENDMENTS | DRAWN | CHKD | D.O. | APVD | DATE |
| 1 | | | | | | |

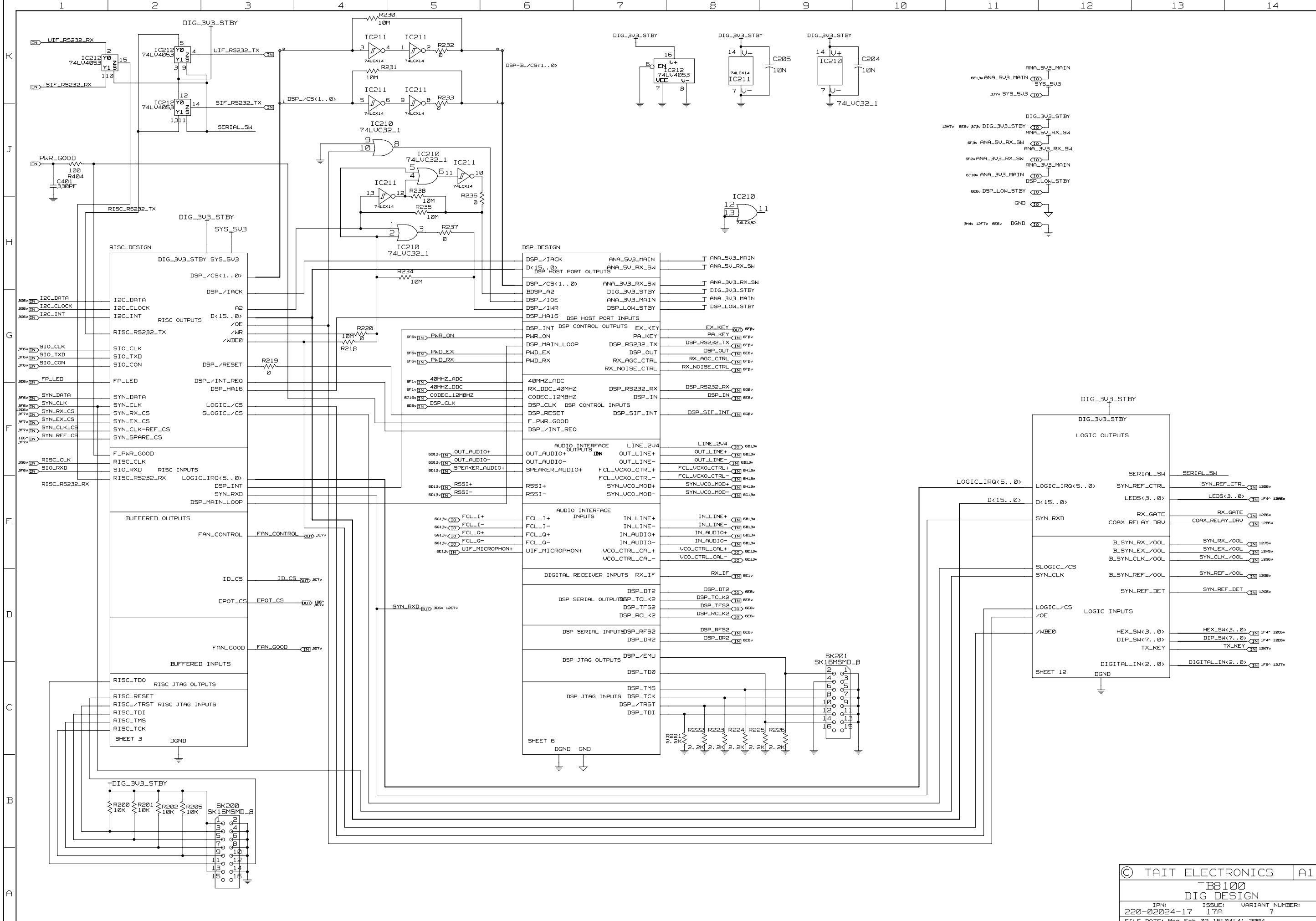
© TAIT ELECTRONICS A1

T88100
RECITER CONTROL

IPN: 220-02024-17 ISSUE: 17A VARIANT NUMBER: ?

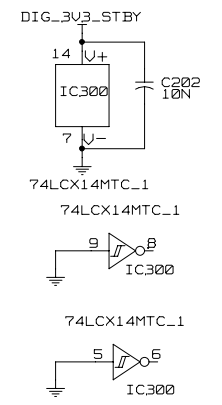
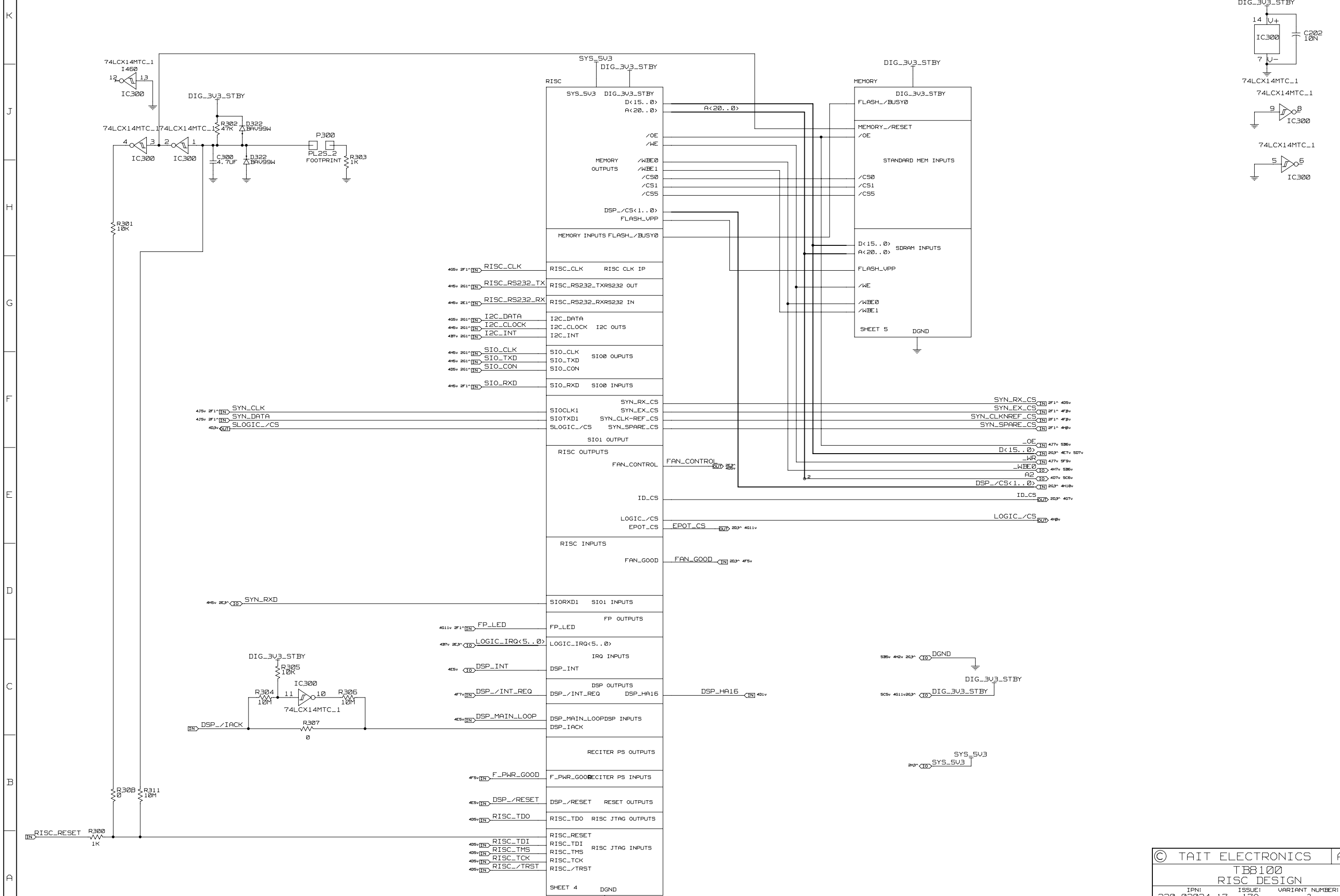
FILE DATE: Tue Feb 03 10:32:09 2004 FILE NAME: 220_02024 SHEET NUMBER: 1 OF 1B

ENGINEER: SH



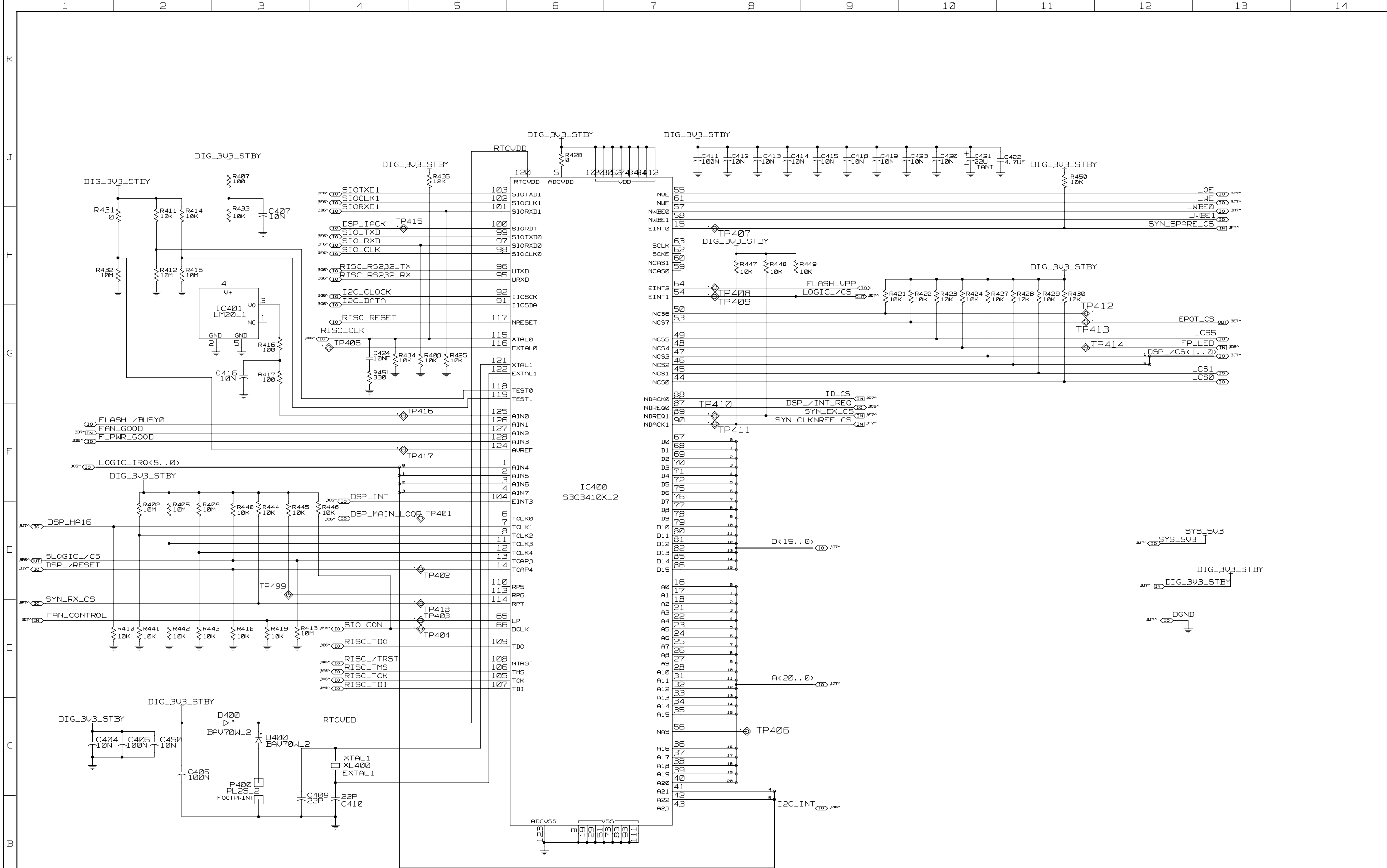
| | | |
|-------------------------------------|-------------------------|--------------------------|
| © TAIT ELECTRONICS | | A1 |
| TB8100 DIG DESIGN | | |
| IPN: 220-02024-17 | ISSUE: 17A | VARIANT NUMBER: ? |
| FILE DATE: Mon Feb 02 15:04:41 2004 | | |
| ENGINEER: SH | FILE NAME: 220_02024 | SHEET NUMBER: 2 OF 18 |

| REV/ISS | AMENDMENTS | DRAWN | CHKD | D. O. | APVD | DATE |
|---------|------------|-------|------|-------|------|------|
| 1 | | | | | | |



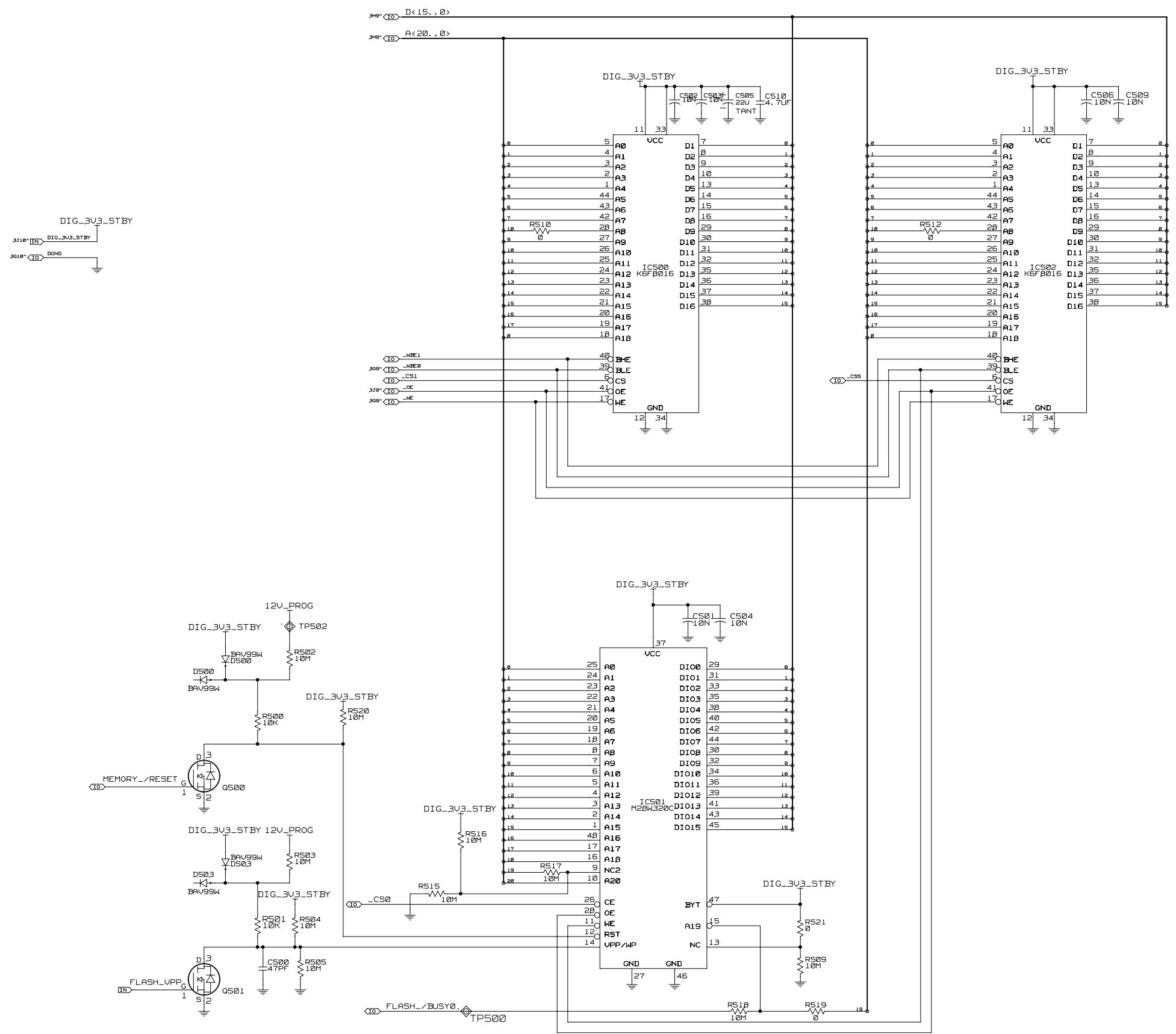
| | | |
|-------------------------------------|-------------------------|--------------------------|
| © TAIT ELECTRONICS | | A1 |
| TB8100 RISC DESIGN | | |
| IPN: 220-02024-17 | ISSUE: 17A | VARIANT NUMBER: ? |
| FILE DATE: Mon Feb 02 15:04:43 2004 | | |
| ENGINEER: SH | FILE NAME: 220_02024 | SHEET NUMBER: 3 OF 18 |

| REV/ISS | AMENDMENTS | DRAWN | CHKD | D. O. | APVD | DATE |
|---------|------------|-------|------|-------|------|------|
| 1 | | | | | | |



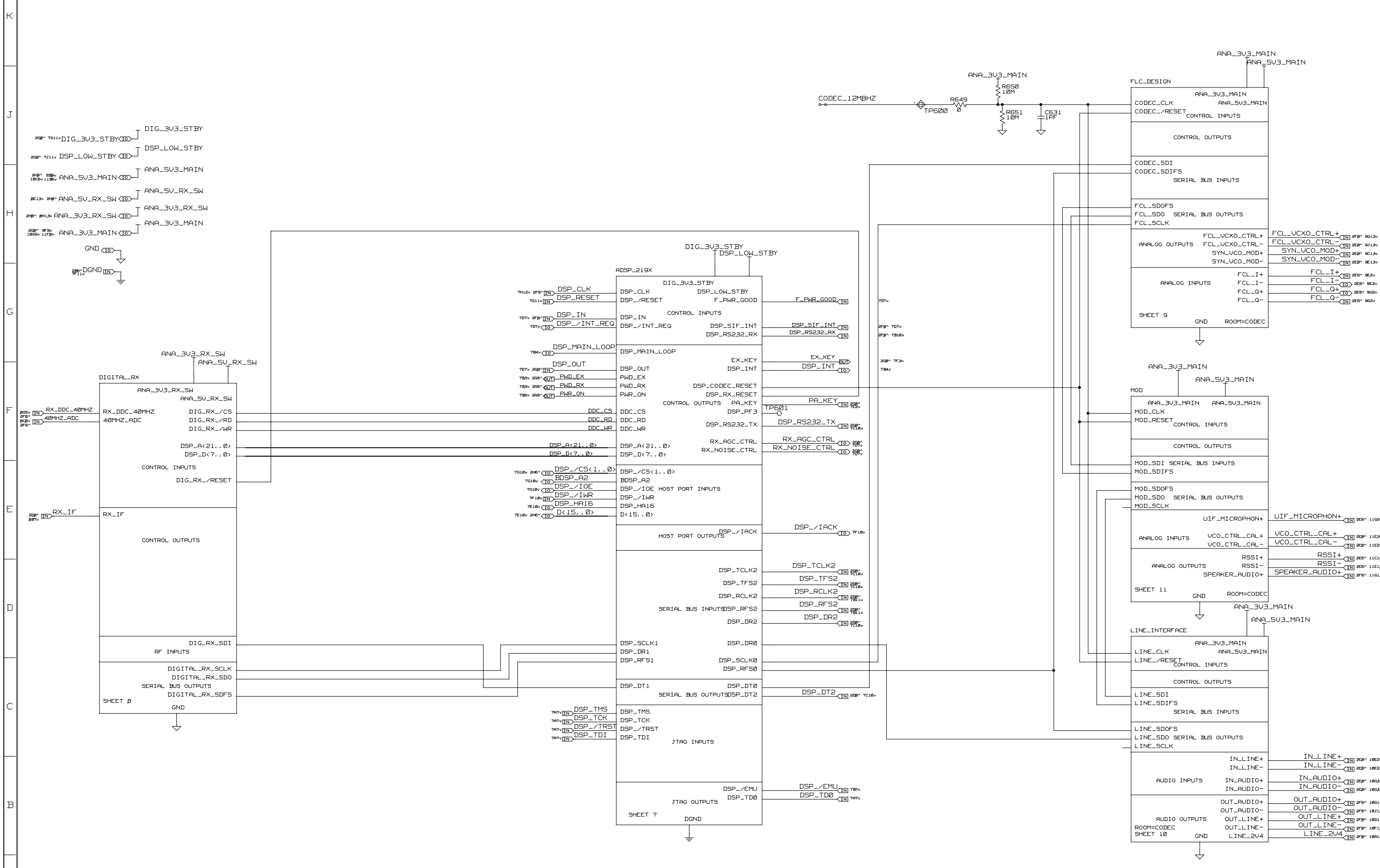
| | | |
|-------------------------------------|-------------------------|--------------------------|
| © TAIT ELECTRONICS | | A1 |
| TB8100 RISC | | |
| IPN: 220-02024-17 | ISSUE: 17A | VARIANT NUMBER: ? |
| FILE DATE: Mon Feb 02 15:04:45 2004 | | |
| ENGINEER: SH | FILE NAME: 220_02024 | SHEET NUMBER: 4 OF 18 |

| REV/ISS | AMENDMENTS | DRAWN | CHKD | D.O. | APVD | DATE |
|---------|------------|-------|------|------|------|------|
| 1 | | | | | | |
| 2 | | | | | | |
| 3 | | | | | | |
| 4 | | | | | | |
| 5 | | | | | | |



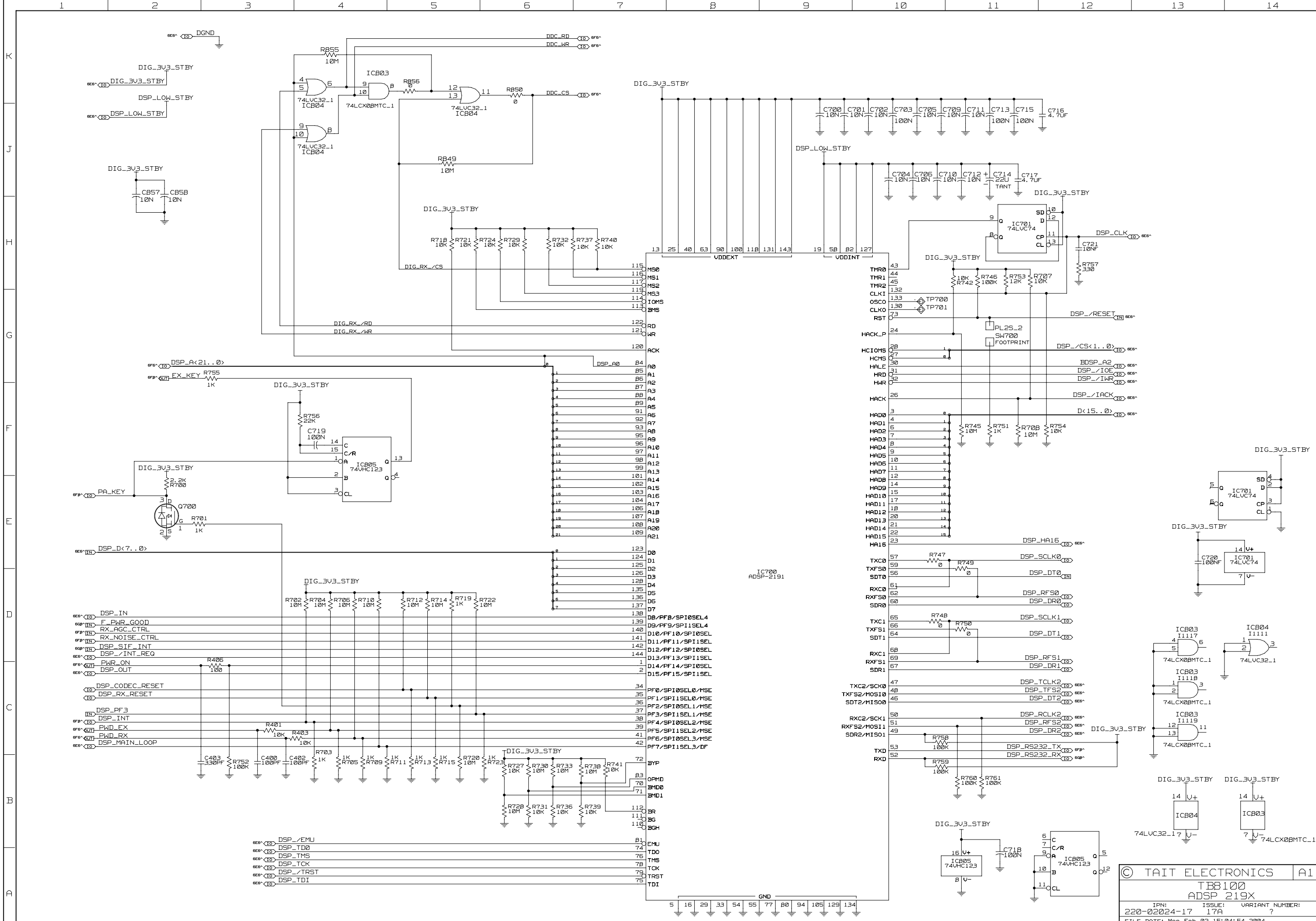
| | | |
|-------------------------------------|-------------------------|--------------------------|
| © TAIT ELECTRONICS | | A1 |
| TBB100 MEMORY | | |
| IPN: 220-02024-17 | ISSUE: 17A | VARIANT NUMBER: ? |
| FILE DATE: Mon Feb 02 15:04:47 2004 | | |
| ENGINEER: SH | FILE NAME: 220_02024 | SHEET NUMBER: 5 OF 18 |

| REV/ISS | AMENDMENTS | DRAWN | CHKD | D. O. | APVD | DATE |
|---------|------------|-------|------|-------|------|------|
| 1 | 2 | 3 | 4 | 5 | | |



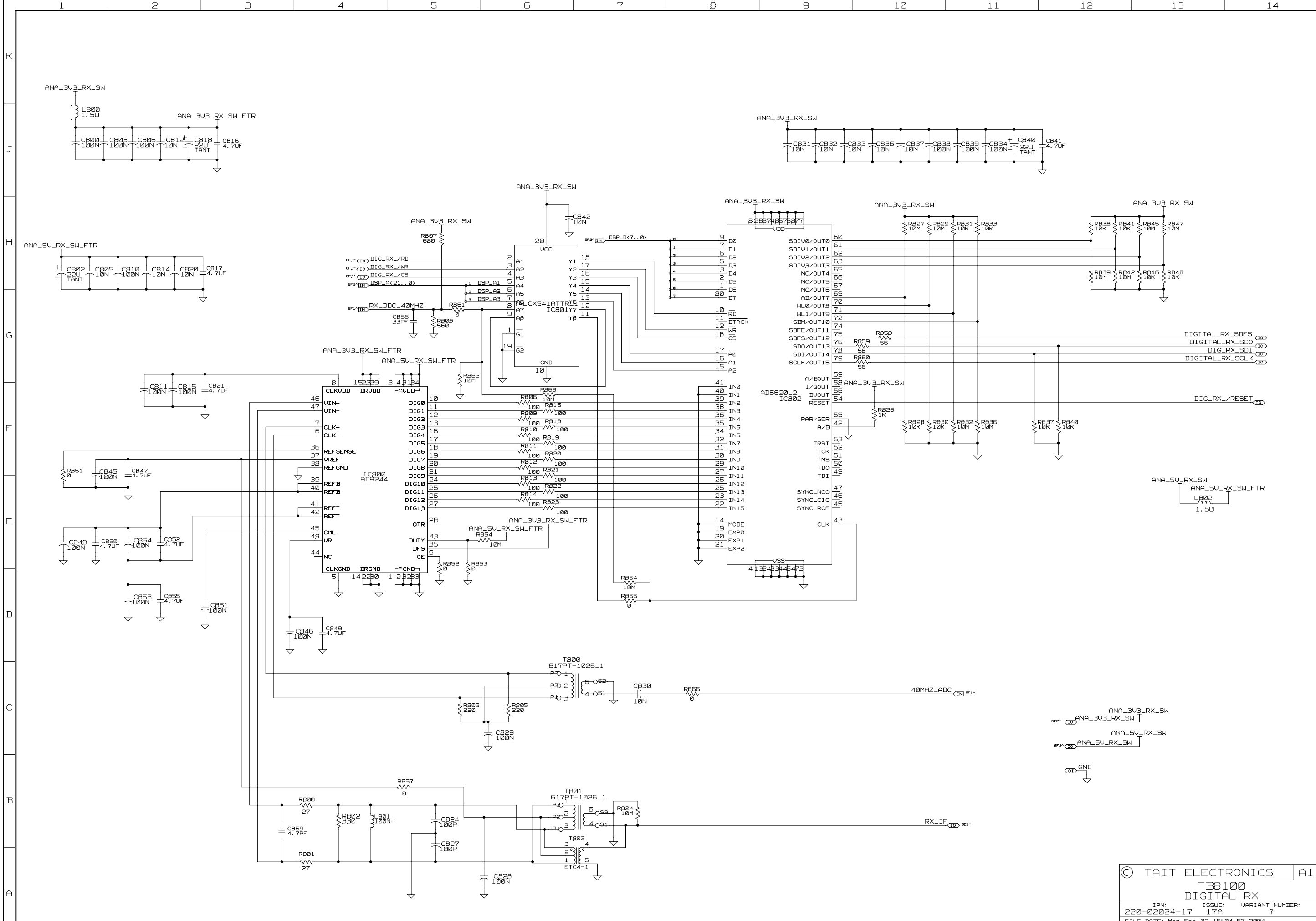
© TAIT ELECTRONICS | A1
TB8100
DSP DESIGN
 IPN: 220-02024-17 | ISSUE: 17A | VARIANT NUMBER: ?
 FILE DATE: Mon Feb 02 15:04:49 2004
 ENGINEER: SH | FILE NAME: 220_02024 | SHEET NUMBER: 6 OF 10

| REV/ISS | AMENDMENTS | DRAWN | CHKD | D.O. | APVD | DATE |
|---------|------------|-------|------|------|------|------|
| 1 | | | | | | |



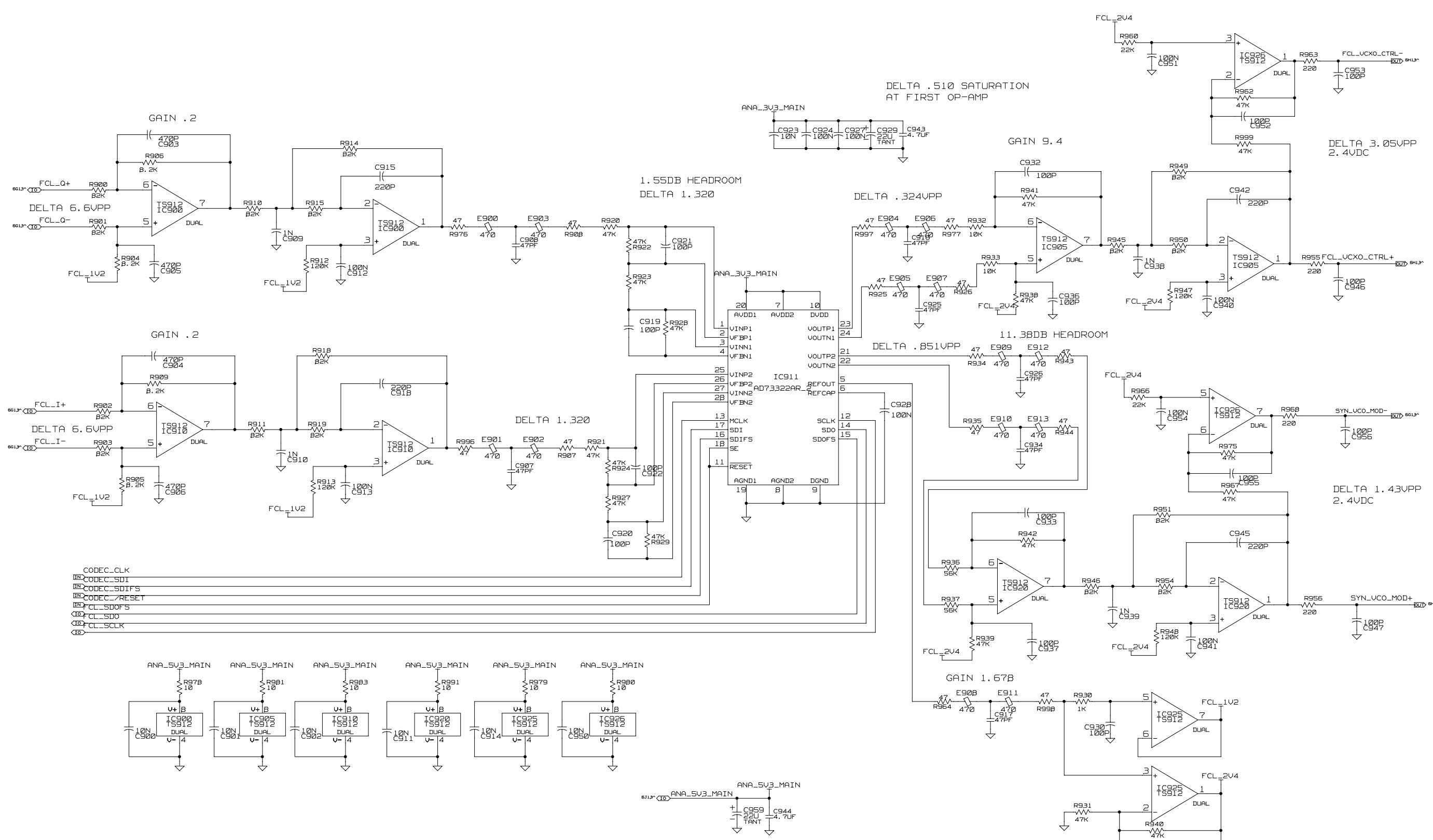
| | | |
|-------------------------------------|------------|-----------------|
| © TAIT ELECTRONICS | | A1 |
| TBB100 | | |
| ADSP-219X | | |
| IPN: | ISSUE: | VARIANT NUMBER: |
| 220-02024-17 | 17A | ? |
| FILE DATE: Mon Feb 02 15:04:54 2004 | FILE NAME: | SHEET NUMBER: |
| ENGINEER: SH | 220_02024 | 7 OF 1B |

| REV/ISS | AMENDMENTS | DRAWN | CHKD | D.O. | APVD | DATE |
|---------|------------|-------|------|------|------|------|
| 1 | | | | | | |
| 2 | | | | | | |
| 3 | | | | | | |
| 4 | | | | | | |
| 5 | | | | | | |
| 6 | | | | | | |
| 7 | | | | | | |
| 8 | | | | | | |
| 9 | | | | | | |
| 10 | | | | | | |
| 11 | | | | | | |
| 12 | | | | | | |
| 13 | | | | | | |
| 14 | | | | | | |



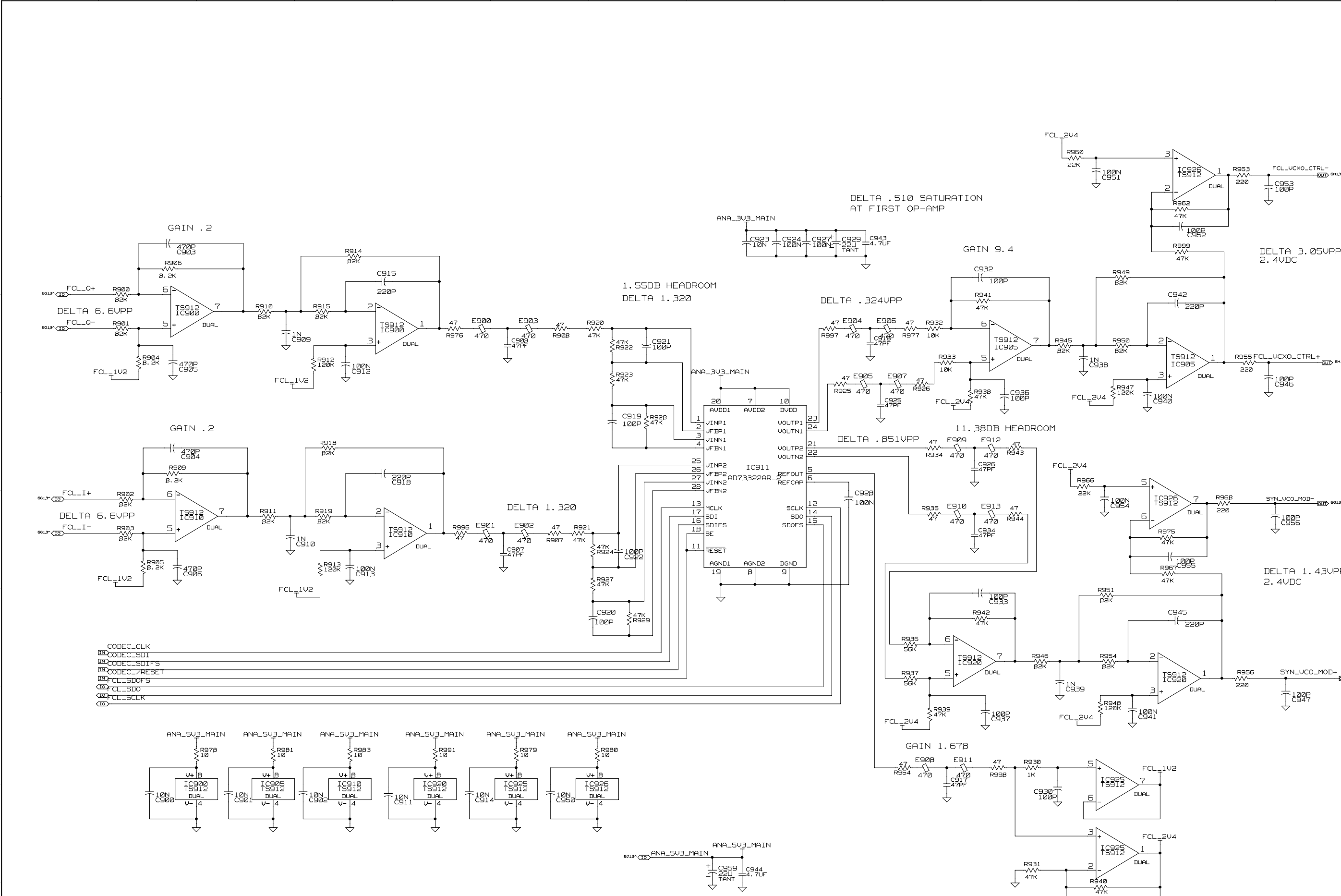
| | | |
|-------------------------------------|-------------------------|--------------------------|
| © TAIT ELECTRONICS | | A1 |
| TB8100 DIGITAL RX | | |
| IPN: 220-02024-17 | ISSUE: 17A | VARIANT NUMBER: ? |
| FILE DATE: Mon Feb 02 15:04:57 2004 | | |
| ENGINEER: SH | FILE NAME: 220_02024 | SHEET NUMBER: B OF 1B |

| REV/ISS | AMENDMENTS | DRAWN | CHKD | D. O. | APVD | DATE |
|---------|------------|-------|------|-------|------|------|
| 1 | | | | | | |
| 2 | | | | | | |
| 3 | | | | | | |
| 4 | | | | | | |
| 5 | | | | | | |



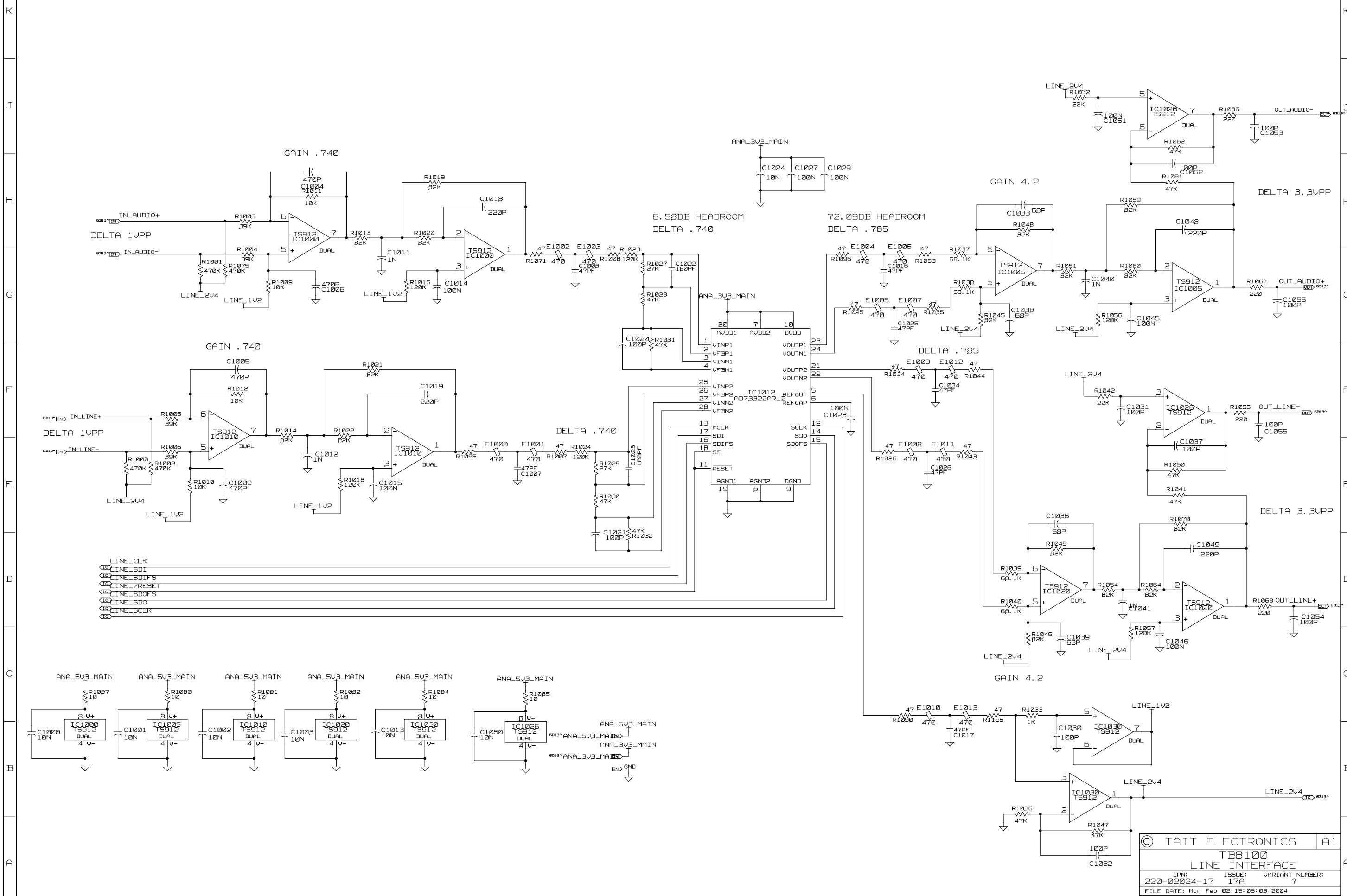
| REV/ISS | AMENDMENTS | DRAWN | CHKD | D.O. | APVD | DATE |
|---------|------------|-------|------|------|------|------|
| 1 | | | | | | |

| | | |
|-------------------------------------|-------------------------|--------------------------|
| © TAIT ELECTRONICS | | A1 |
| TBB100 FCL DESIGN | | |
| IPN: 220-02024-17 | ISSUE: 17A | VARIANT NUMBER: ? |
| FILE DATE: Mon Feb 02 15:05:00 2004 | | |
| ENGINEER: SH | FILE NAME: 220_02024 | SHEET NUMBER: 9 OF 18 |

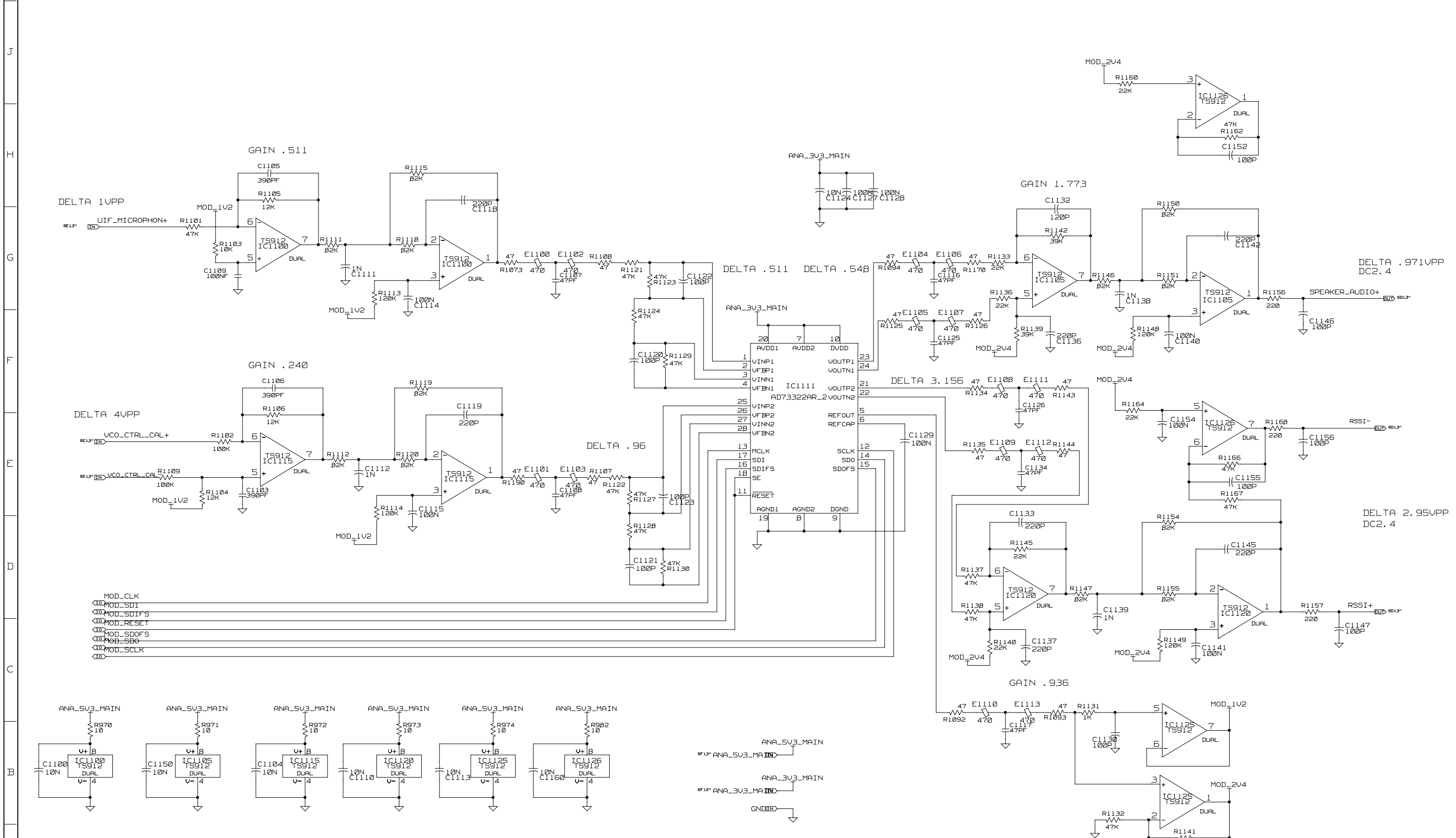


| REV/ISS | AMENDMENTS | DRAWN | CHKD | D.O. | APVD | DATE |
|---------|------------|-------|------|------|------|------|
| 1 | | | | | | |

| | | |
|-------------------------------------|-------------------------|--------------------------|
| © TAIT ELECTRONICS | | A1 |
| TBB100 FCL DESIGN | | |
| IPN: 220-02024-17 | ISSUE: 17A | VARIANT NUMBER: ? |
| FILE DATE: Mon Feb 02 15:05:00 2004 | | |
| ENGINEER: SH | FILE NAME: 220_02024 | SHEET NUMBER: 9 OF 18 |

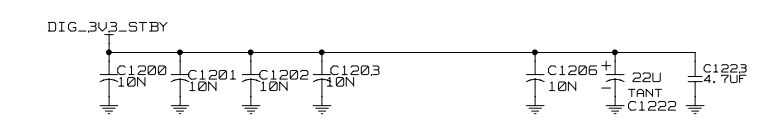
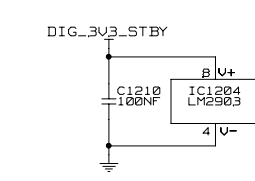
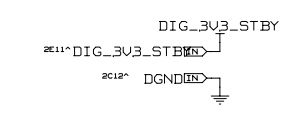
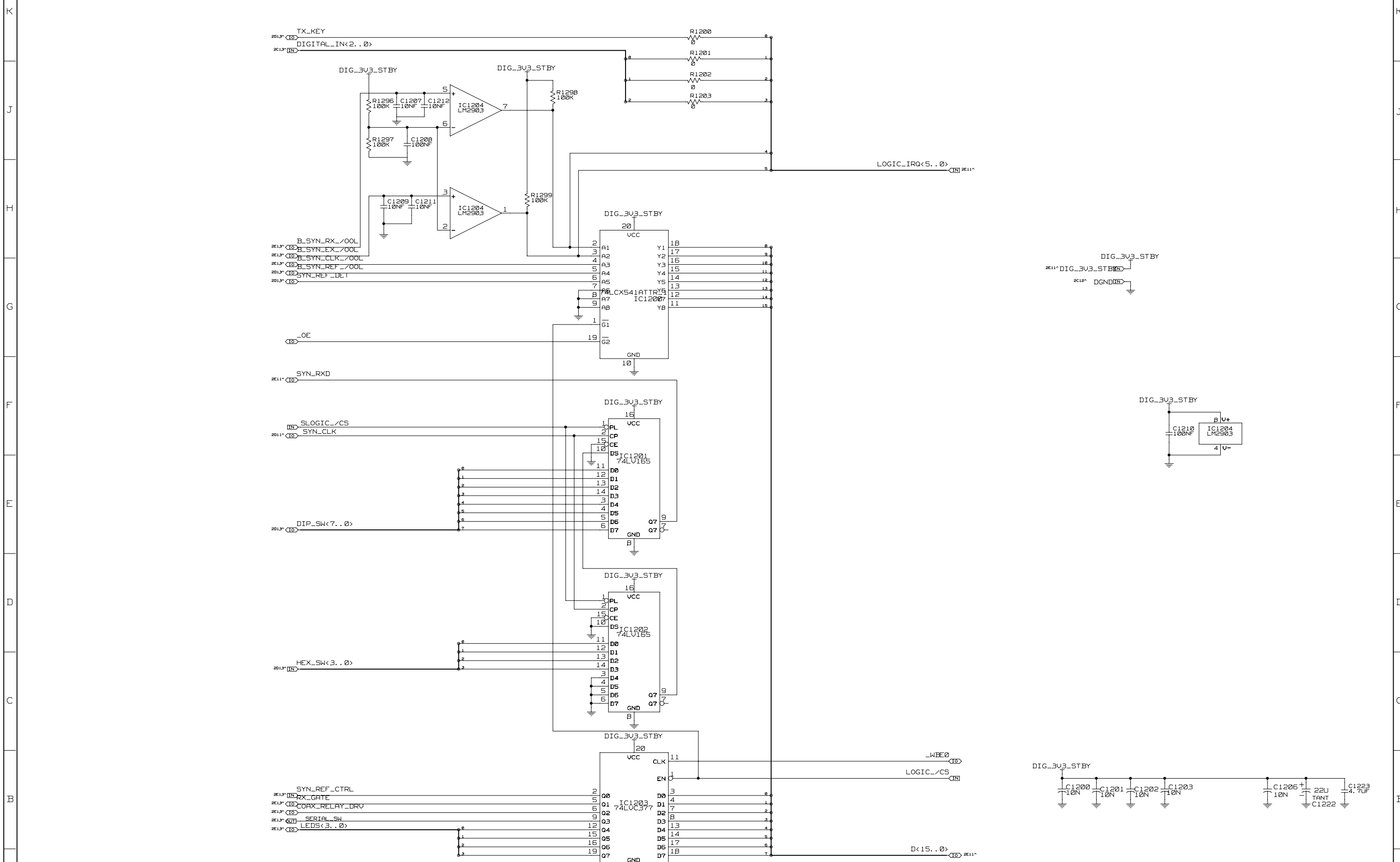


| | | |
|-------------------------------------|-------------------------|---------------------------|
| © TAIT ELECTRONICS | | A1 |
| TBB100 LINE INTERFACE | | |
| IPN: 220-02024-17 | ISSUE: 17A | VARIANT NUMBER: ? |
| FILE DATE: Mon Feb 02 15:05:03 2004 | | |
| ENGINEER: SH | FILE NAME: 220_02024 | SHEET NUMBER: 10 OF 18 |



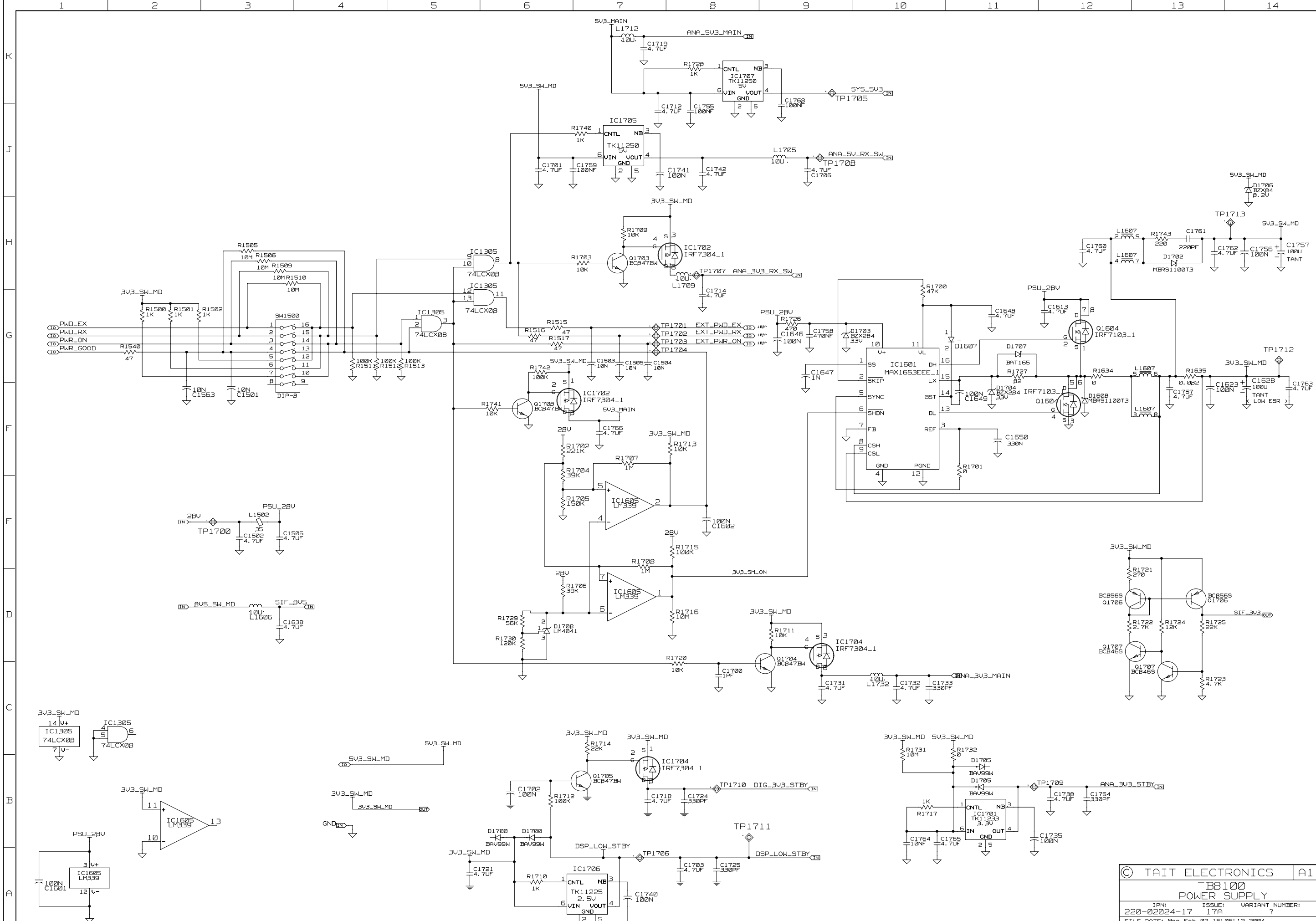
© TAIT ELECTRONICS A1
 TB8100
 MOD
 IPN: 220-02024-17 ISSUE: 17A VARIANT NUMBER: ?
 FILE DATE: Mon Feb 02 15:05:05 2004
 ENGINEER: SH FILE NAME: 220_02024 SHEET NUMBER: 11 OF 18

| REV/ISS | AMENDMENTS | DRAWN | CHKD | D. O. | APVD | DATE |
|---------|------------|-------|------|-------|------|------|
| 1 | 2 | 3 | 4 | 5 | 6 | 7 |



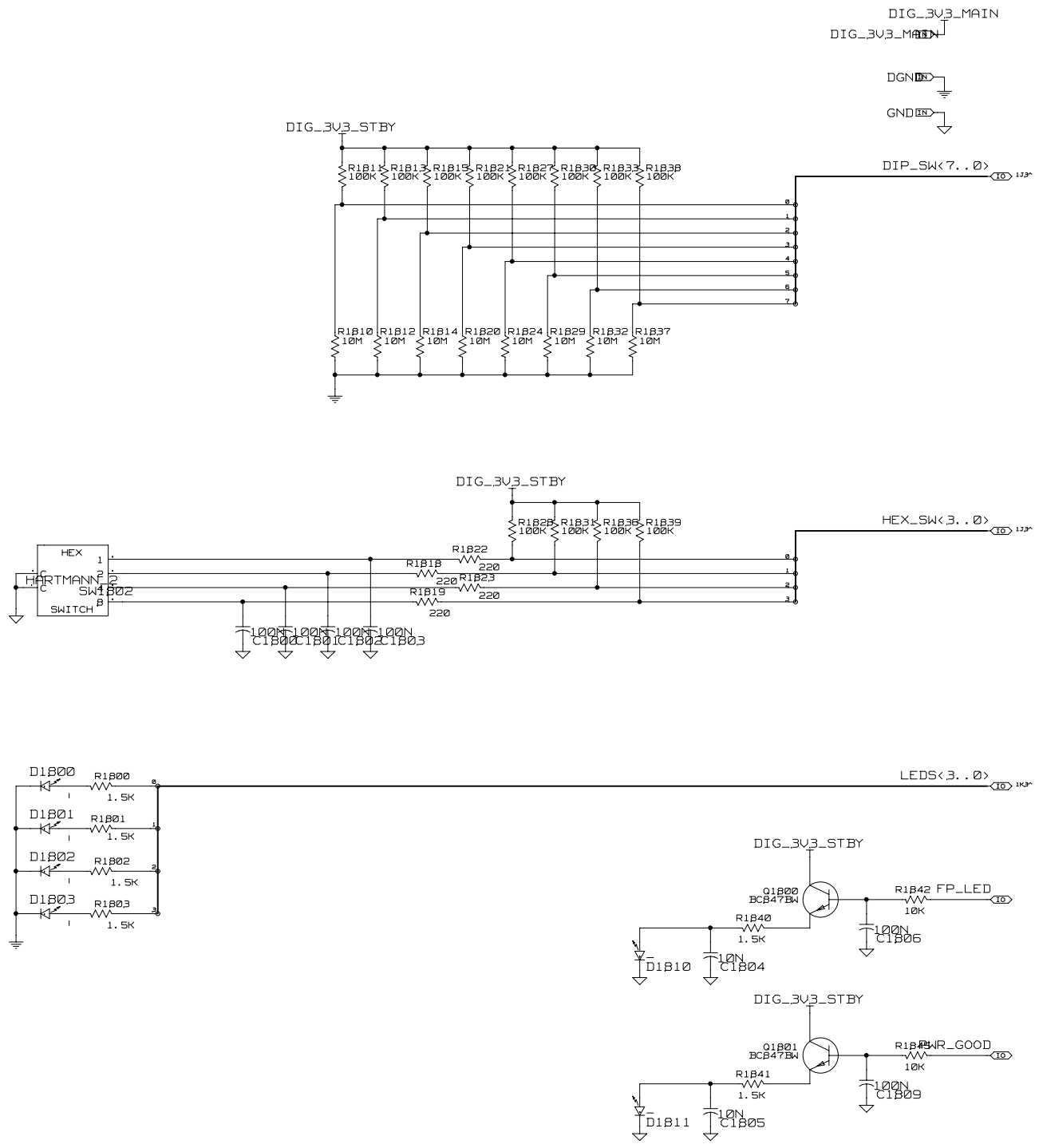
| | | |
|-------------------------------------|-------------------------|---------------------------|
| © TAIT ELECTRONICS | | A1 |
| TB8100 LOGIC DESIGN | | |
| IPN: 220-02024-17 | ISSUE: 17A | VARIANT NUMBER: ? |
| FILE DATE: Mon Feb 02 15:05:09 2004 | | |
| ENGINEER: SH | FILE NAME: 220_02024 | SHEET NUMBER: 12 OF 18 |

| REV/ISS | AMENDMENTS | DRAWN | CHKD | D. O. | APVD | DATE |
|---------|------------|-------|------|-------|------|------|
| 1 | 2 | 3 | | 4 | | 5 |



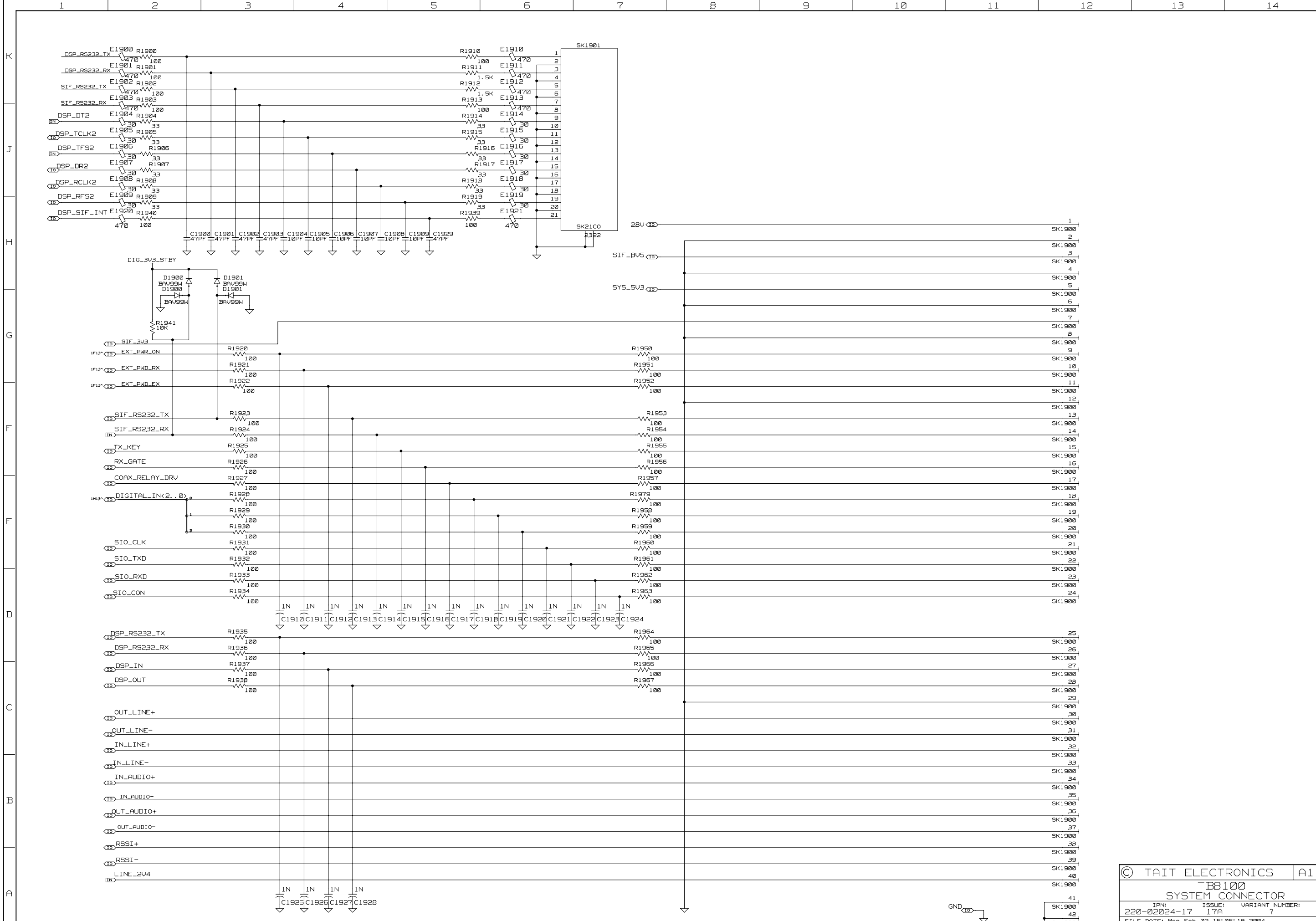
| | | |
|-------------------------------------|-------------------------|---------------------------|
| © TAIT ELECTRONICS | | A1 |
| TB8100 POWER SUPPLY | | |
| IPN: 220-02024-17 | ISSUE: 17A | VARIANT NUMBER: ? |
| FILE DATE: Mon Feb 02 15:05:12 2004 | | |
| ENGINEER: SH | FILE NAME: 220_02024 | SHEET NUMBER: 13 OF 18 |

| REV/ISS | AMENDMENTS | DRAWN | CHKD | D.O. | APVD | DATE |
|---------|------------|-------|------|------|------|------|
| 1 | | | | | | |



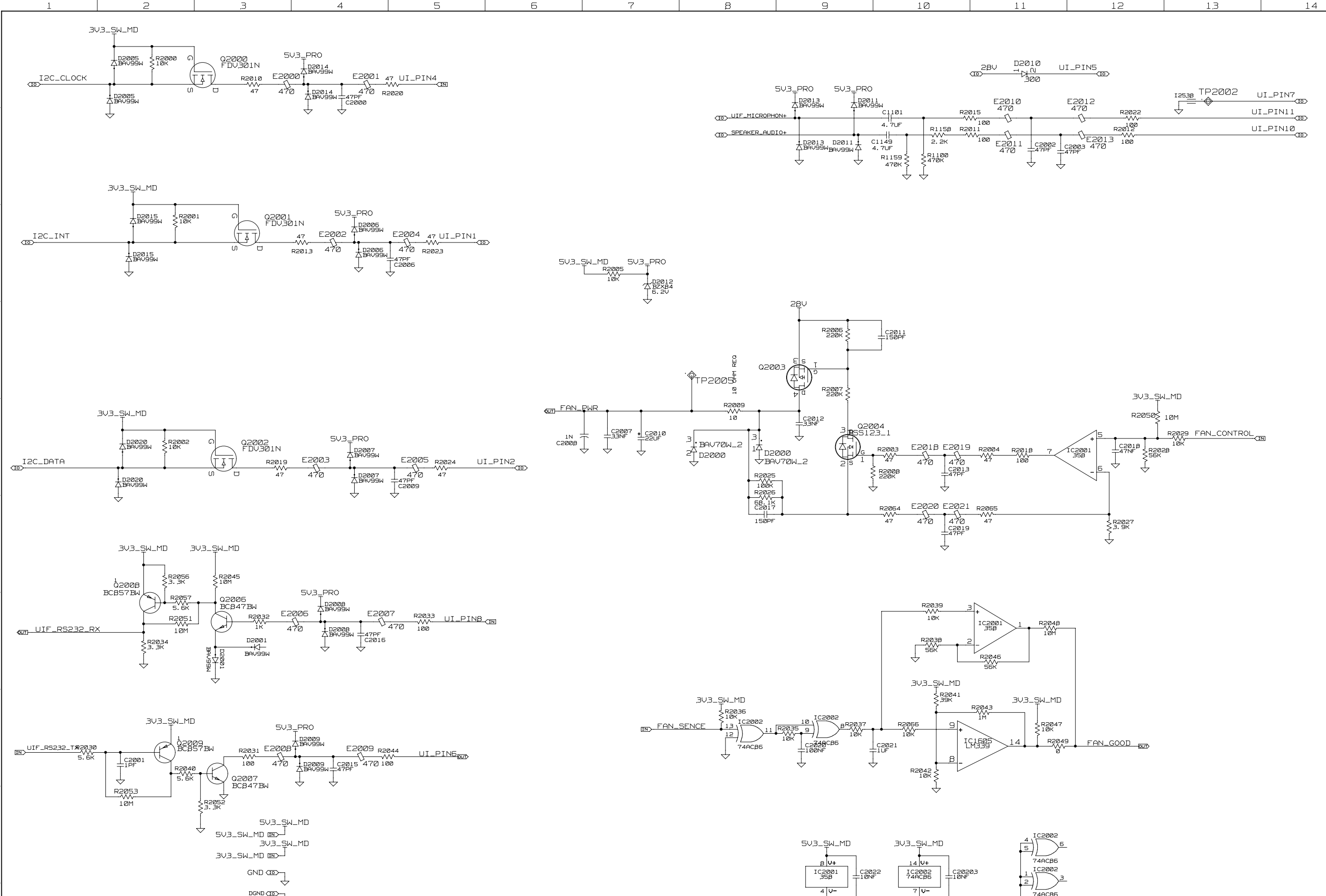
| | | |
|-------------------------------------|-------------------------|---------------------------|
| © TAIT ELECTRONICS | | A1 |
| TBB100 CONFIGURATION | | |
| IPN: 220-02024-17 | ISSUE: 17A | VARIANT NUMBER: ? |
| FILE DATE: Mon Feb 02 15:05:15 2004 | | |
| ENGINEER: SH | FILE NAME: 220_02024 | SHEET NUMBER: 14 OF 18 |

| REV/ISS | AMENDMENTS | DRAWN | CHKD | D.O. | APVD | DATE |
|---------|------------|-------|------|------|------|------|
| 1 | 2 | 3 | | 4 | | 5 |



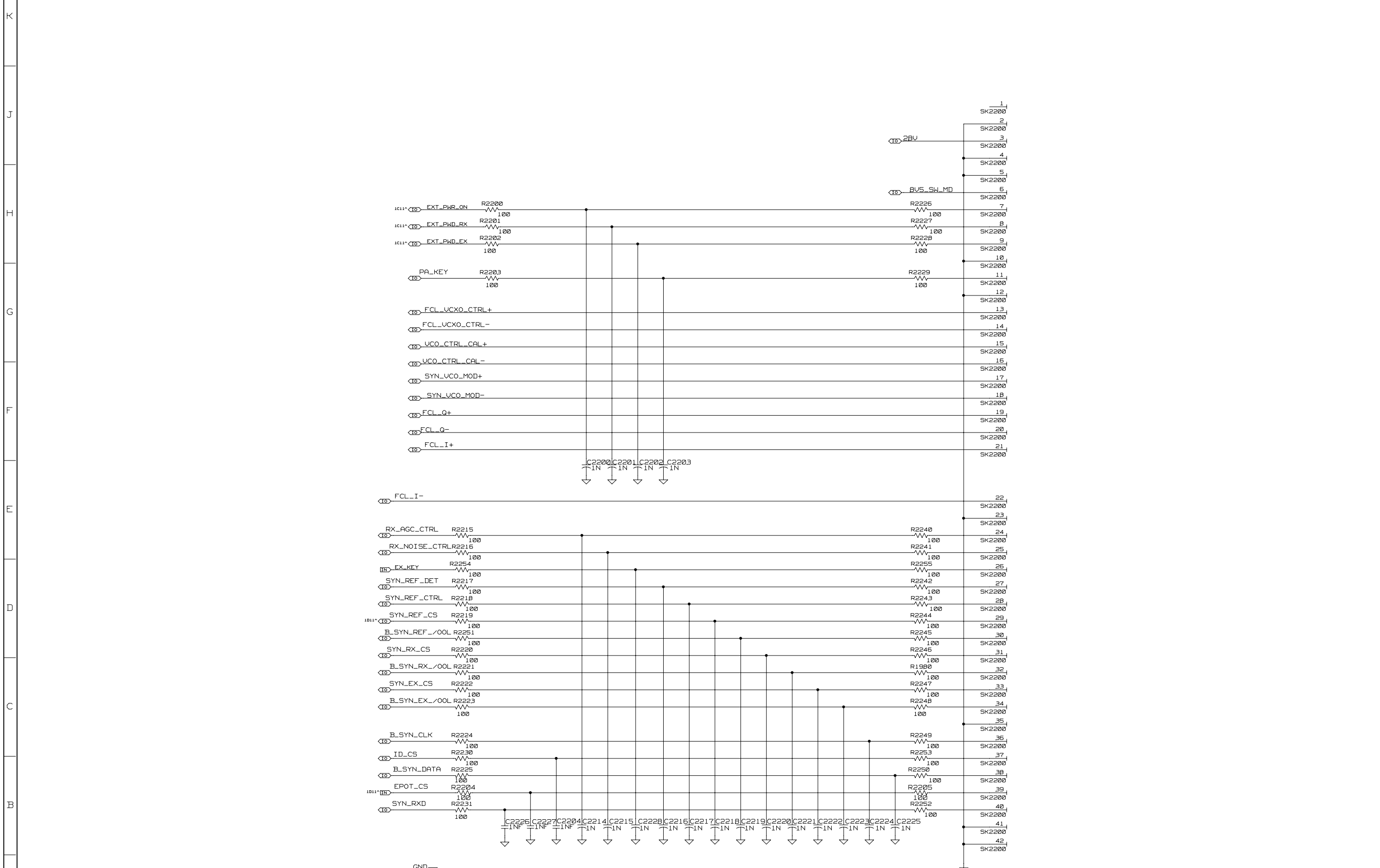
| REV/ISS | AMENDMENTS | DRAWN | CHKD | D. O. | APVD | DATE |
|---------|------------|-------|------|-------|------|------|
| 1 | 2 | 3 | 4 | 5 | 6 | 7 |

| | | |
|-------------------------------------|-------------------------|---------------------------|
| © TAIT ELECTRONICS | | A1 |
| TB8100 SYSTEM CONNECTOR | | |
| IPN: 220-02024-17 | ISSUE: 17A | VARIANT NUMBER: ? |
| FILE DATE: Mon Feb 02 15:05:18 2004 | | |
| ENGINEER: SH | FILE NAME: 220_02024 | SHEET NUMBER: 15 OF 18 |



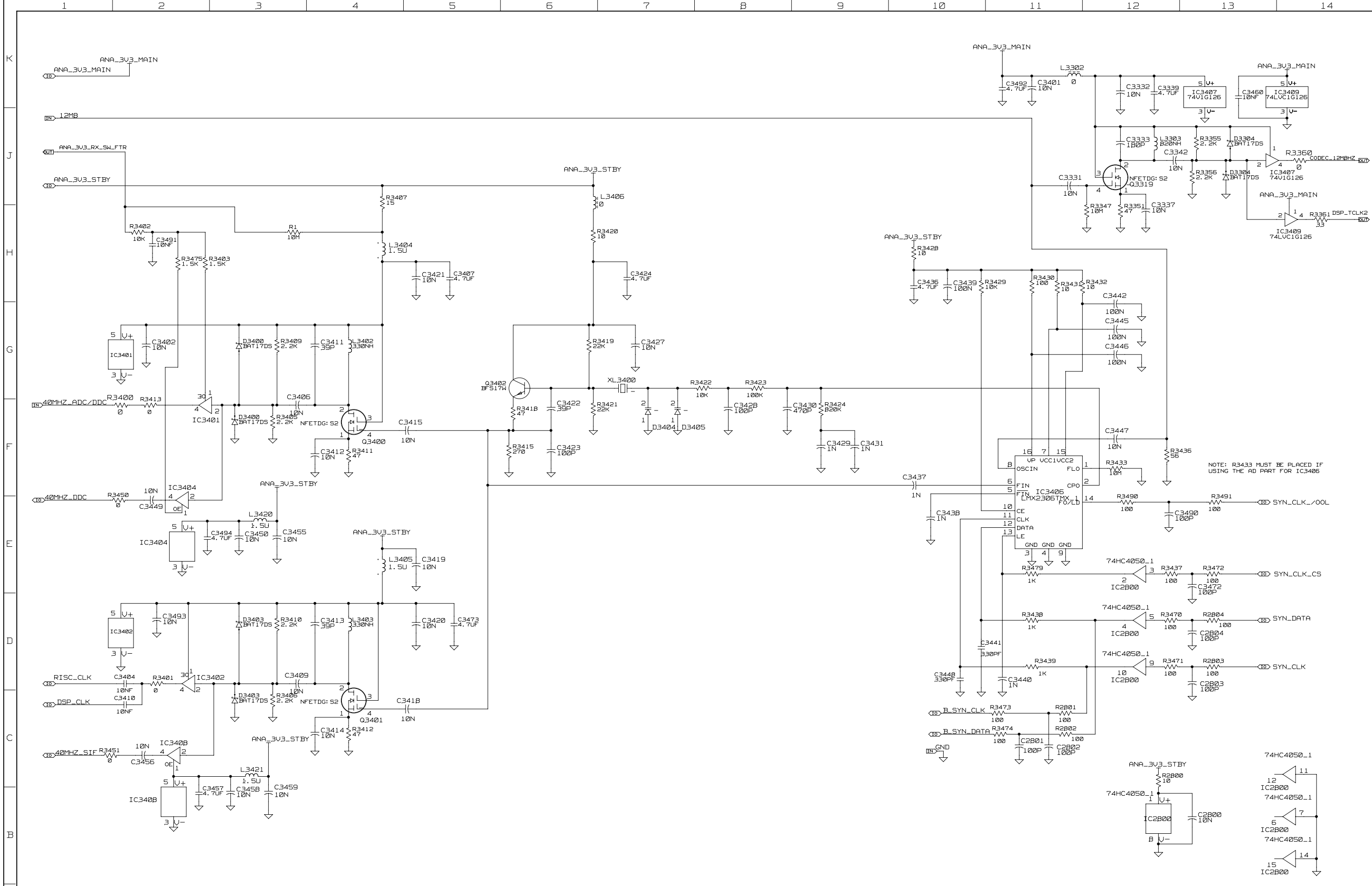
| | | |
|-------------------------------------|-------------------------|---------------------------|
| © TAIT ELECTRONICS | | A1 |
| TBB100 | | |
| FILT | | |
| IPN: 220-02024-17 | ISSUE: 17A | VARIANT NUMBER: ? |
| FILE DATE: Mon Feb 02 15:05:21 2004 | | |
| ENGINEER: SH | FILE NAME: 220_02024 | SHEET NUMBER: 16 OF 18 |

| REV/ISS | AMENDMENTS | DRAWN | CHKD | D.O. | APVD | DATE |
|---------|------------|-------|------|------|------|------|
| 1 | 2 | 3 | | 4 | | 5 |



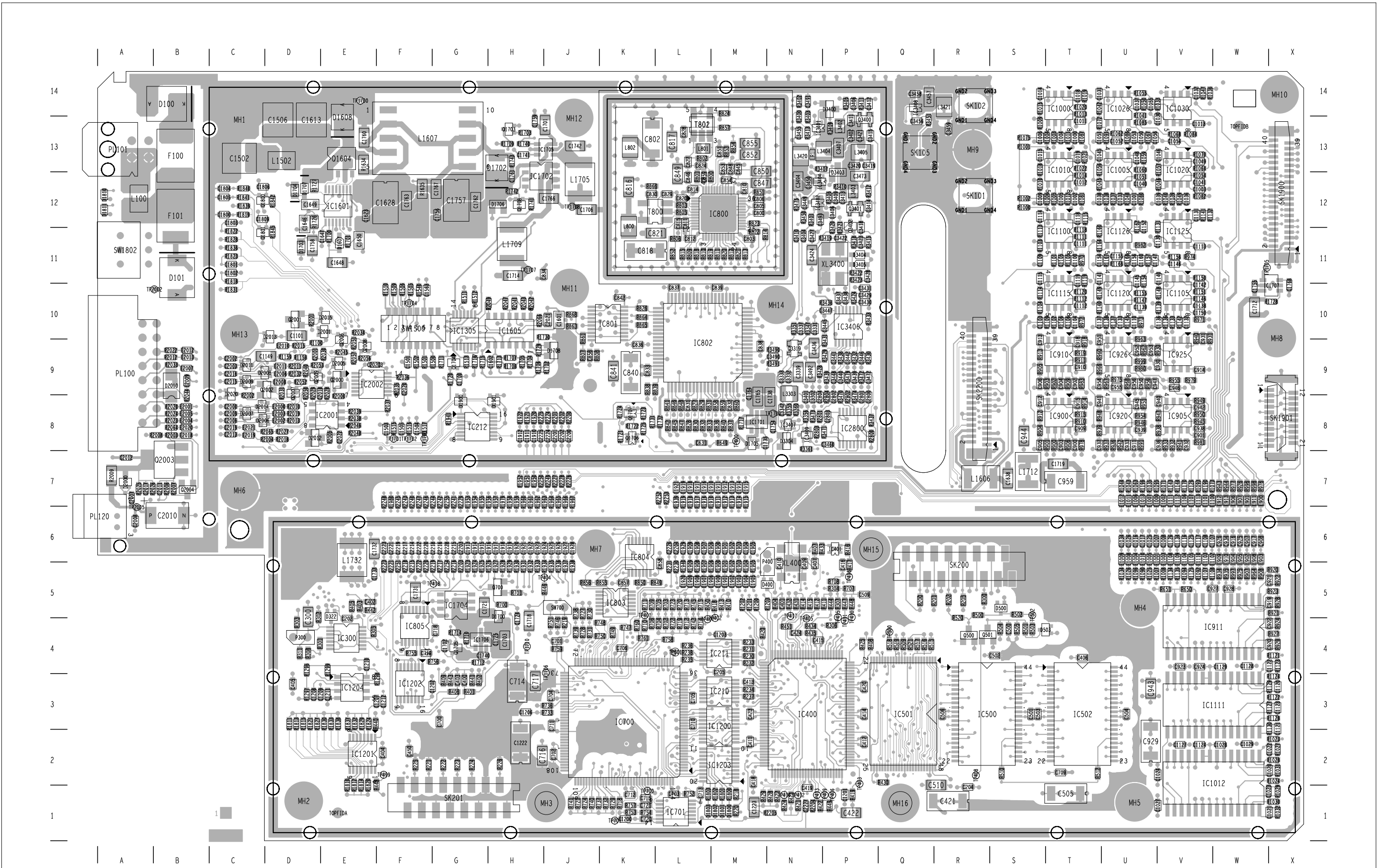
| | | |
|-------------------------------------|-------------------------|---------------------------|
| © TAIT ELECTRONICS | | A1 |
| TBB100 DIG_CONN | | |
| IPN: 220-02024-17 | ISSUE: 17A | VARIANT NUMBER: ? |
| FILE DATE: Mon Feb 02 15:05:23 2004 | | |
| ENGINEER: SH | FILE NAME: 220_02024 | SHEET NUMBER: 17 OF 18 |

| REV/ISS | AMENDMENTS | DRAWN | CHKD | D. O. | APVD | DATE |
|---------|------------|-------|------|-------|------|------|
| 1 | 2 | 3 | | 4 | | 5 |

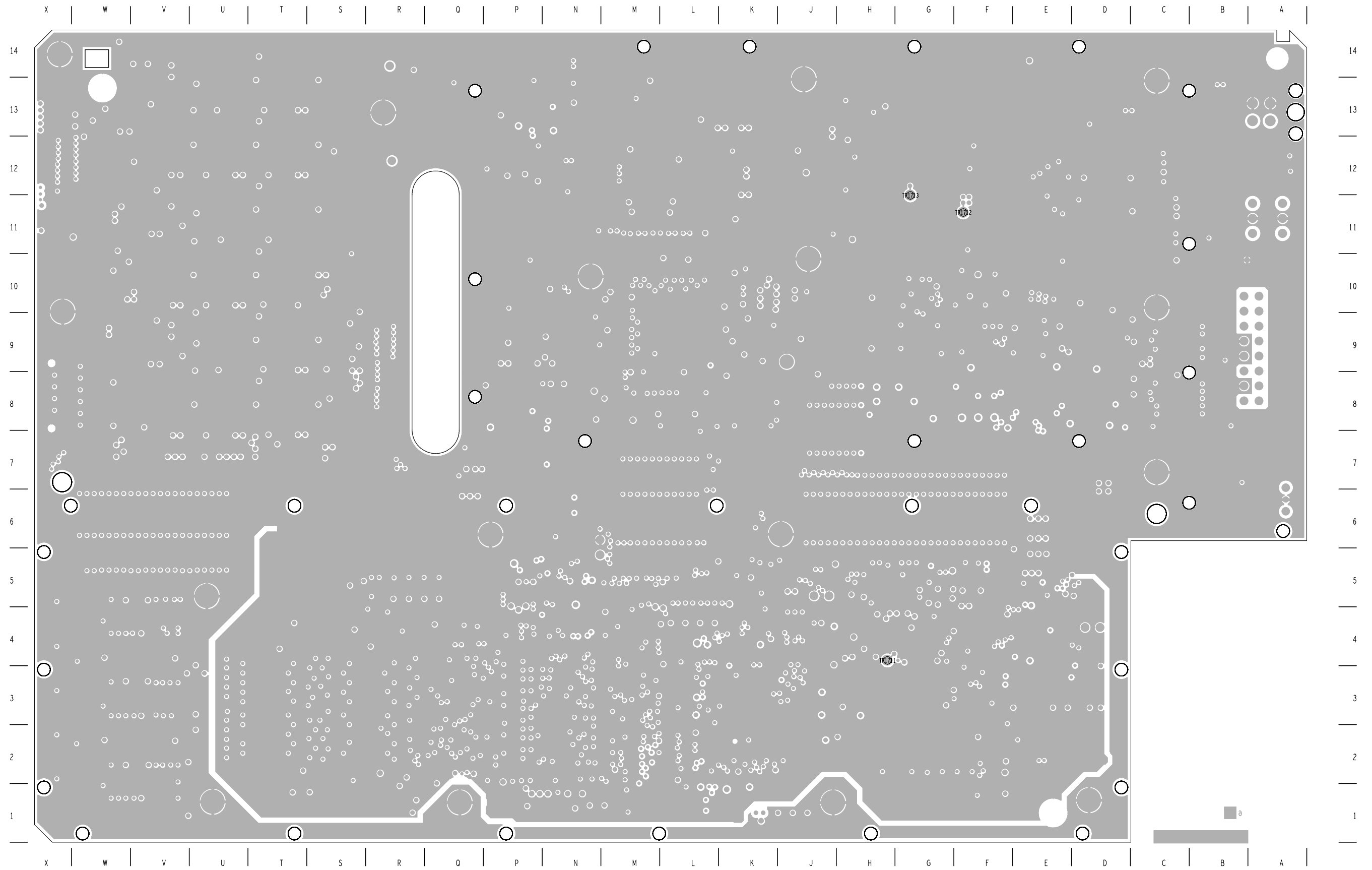


© TAIT ELECTRONICS | A1
TBB100
ANALOG CLOCK SYNTH
 IPN: 220-02024-17 | ISSUE: 17A | VARIANT NUMBER: ?
 FILE DATE: Mon Feb 02 15:05:26 2004
 ENGINEER: SH | FILE NAME: 220_02024 | SHEET NUMBER: 1B OF 1B

| REV/ISS | AMENDMENTS | DRAWN | CHKD | D. O. | APVD | DATE |
|---------|------------|-------|------|-------|------|------|
| 1 | 2 | 3 | 4 | 5 | 6 | 7 |



TAIT ELECTRONICS IPN: 220-02024-17 ISS: A DATE: 4Feb04 SCALE: NTS
TB8100 Digital Reciter 220-02024-17 LAYOUT-PRIMARY-SIDE



| | | | | |
|---|----------------------|-----------|-----------------|---------------|
| TAIT ELECTRONICS | IPN: 220-02024-17 | ISS: A | DATE: 4Feb04 | SCALE: NTS |
| TB8100 Digital Reciter 220-02024-17 LAYOUT-SECONDARY-SIDE | | | | |